

Microblasting Equipment

PEENMATIC 1800 SK / SDK



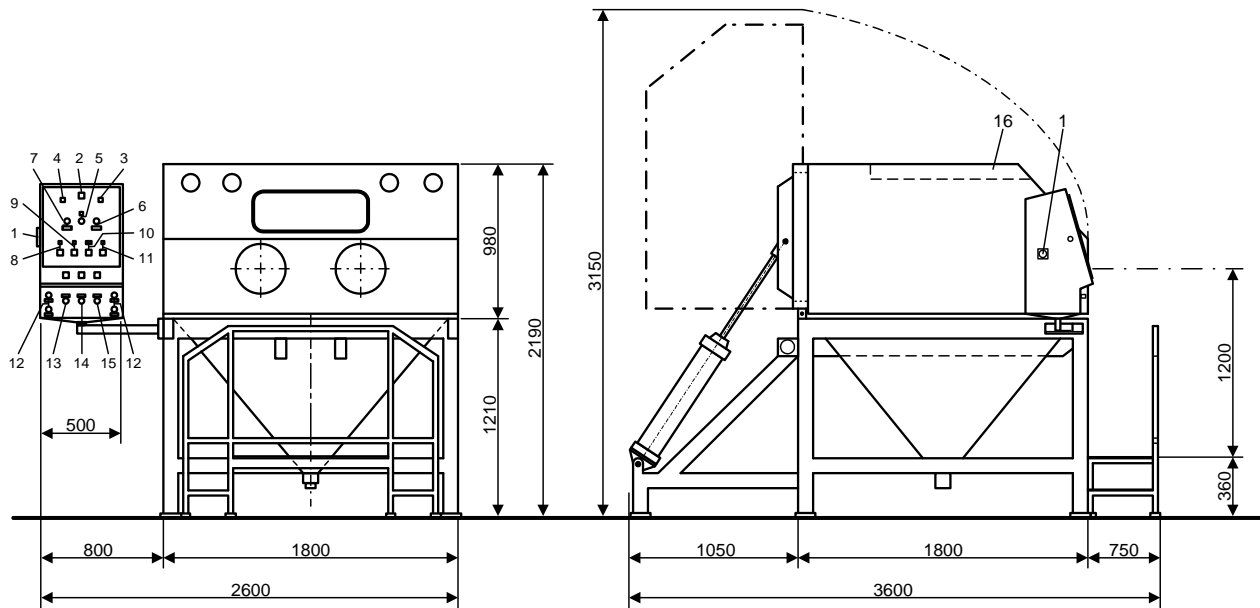
- Standard equipment:**
- Construction with tilting hood, automatically opened pneumatically up to an aperture angle of 90°, operation via two press buttons (two-hand control) on the control box, for an easy crane or stacker truck feeding. With integrated sight window, provided with a safety glass and an attrition-proof glass, in a quick-change frame
 - Magnetic door interruption switch
 - Impurity collecting drawer in the funnel, fitted with a sieve, in order to collect coarse particles removed by microblasting
 - Working platform for the operator, in front of the equipment, with 2 lateral stairs, 2 steps, with a platform height of 360 mm
 - Working grate made of perforated plate, two-piece, detachable, diameter of holes 5 mm
 - Padded sleeves and gloves, exchangeable
 - Microblasting pistol unit, type EF 4, with hard metal blasting nozzle HSD 8/15, adjustable via pressure reducing valve, 0 - 8,5 bar, microblasting pressure reading on the manometer
 - Holding device for microblasting pistol and blow-out pistol, firmly mounted on the tilting hood between the two handholes
 - Microblasting agent pre-accelerating system with moving injector, adjustable via pressure reducing valve, 0 - 4 bar, pressure reading on the manometer
 - Automatic selective microblasting agent recycling system, type SHOT SEPARATOR
 - Separately installed high surface microfilter unit, type IMF-2, ventilator electronically continuously adjustable, with automatic, electro-pneumatic filter cleaning, including integrated dust collector, moveable
 - Blow-out pistol (air-blasting pistol)
 - Foot actuated switch with impulse contact
 - Compressed-air connection, 3/4", at equipment, including oil and water separator
 - Separately placed control box, slewable, with separate arranged electric, electronic and pneumatic control systems as well as all the necessary operating and control elements
 - Main switch, on / off
 - Key-operated switch, on / off, with 2 keys
 - Hour counter of microblasting time
 - Illumination, 2 x 3 x 18 W
- Accessories:**
- (on request)
- Rotary table unit, made of aluminium or steel, Ø 1'000 mm, manually rotatable or electronically continuously variable
 - Enlargement of the handholes up to Ø 300 mm, for more freedom of motion
 - Continuous drying system for microblasting agents, electronically continuously variable
 - Second microblasting pistol unit

Sales / Development
iepcO ag
Hofstrasse 21
CH-8181 Höri
Phone +41 / (0)44 861 16 16
Fax +41 / (0)44 860 63 86
www.iepcO.ch

Production Plant
iepcO ag
Steiächerweg 10
CH-5316 Leuggern
Phone +41 / (0)56 268 80 40
Fax +41 / (0)56 268 80 50
info@iepcO.ch

Technologies for
perfect surfaces

Microblasting Equipment PEENMATIC 1800 SK / SDK



Legend:

- | | |
|---|---|
| 1 Main switch | 11 Microfilter on / off, with signal lamp |
| 2 Hour counter of microblasting time | 12 Control switches tilting hood (two-hand control) |
| 3 Malfunction microfilter | 13 Pressure control for tilting hood, with manometer |
| 4 Malfunction rotary drive | 14 Pressure regulator microblasting pistol(s), with manometer |
| 5 Potentiometer drying system for microblasting agents, with signal lamp | 15 Pressure regulator moving injector, with manometer |
| 6 Speed regulator for microfilter unit | 16 Illumination, 2 x 3 x 18 Watt |
| 7 Speed regulator for rotary table unit | |
| 8 Control on / off, with signal lamp | |
| 9 Illumination on / off, with signal lamp | |
| 10 Selector switch microblasting pistol left / microblasting pistol right, with signal lamp | |
- (Pos. 4, pos. 5, pos. 7 and pos. 10 only on request as an optional accessory)

Usable space:

Width 1'600 x depth 1'600 x height 840 mm.
Optimal for surface treatment of workpieces with dimensions of width 1'500 x depth 1'500 x height 400 mm

Operating voltage:

3 x 400 V / 230 V + N + PE / 50/60 Hz

Power consumption:

< 1,50 kW, including microfilter unit

Control safety:

6,3 AT

Compressed air connection:

On the side of the building 3/4" G
On the side of the equipment 1/2" G
Pressure 0 - 10 bar

Sound level:

68 dB(A) without microblasting
75 dB(A) with microblasting at 3 bar

Weight:

820 kg

All data are given without liability on our part. We reserve the right to modify constructional design at any time.

Sales / Development

iepcO ag
Hofstrasse 21
CH-8181 Höri
Phone +41 / (0)44 861 16 16
Fax +41 / (0)44 860 63 86
www.iepcO.ch

Production Plant

iepcO ag
Steiächerweg 10
CH-5316 Leuggern
Phone +41 / (0)56 268 80 40
Fax +41 / (0)56 268 80 50
info@iepcO.ch